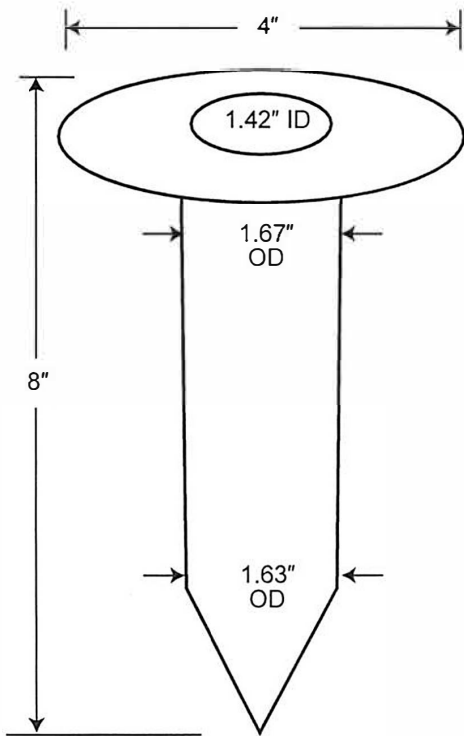


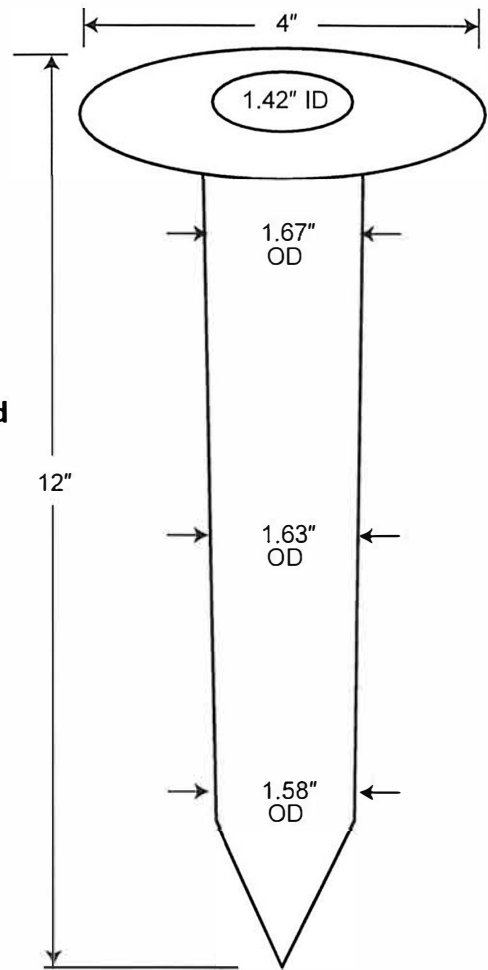
Ground Socket Dimensions and Instructions



Plugs
(white/
yellow/
orange)



Sockets are designed to anchor one inch standard PVC tubing (1.315" OD)

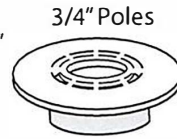


**Smaller diameter poles?
Use our Reducer Plugs:**

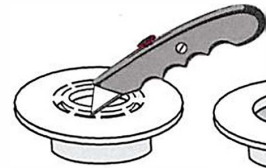
1/2" Static Reducer



Dual Diameter 3/4" and 1" Reducer Insert (cut out center ring)



3/4" Poles

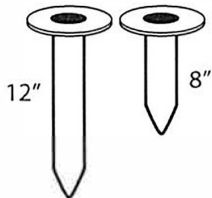


1" Poles

8 and 12 inch Ground Socket Instructions

Ground Sockets

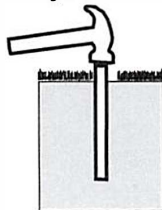
You may have either size socket depending on your product. 8 or 12 inch.



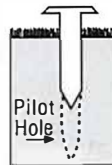
IMPORTANT!

Create a PILOT HOLE!

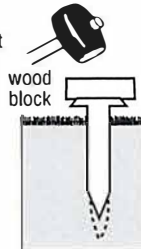
(1" - 1-1/2" dia. by 8" or 12" deep - depending on your socket)



Push Socket as far as you can into pilot hole



Using a wood block to protect socket, drive it into ground.



Make sure socket is flush with the turf line.



Socket Removal:

For permanent relocation, use a spade or claw hammer to pry up socket flange, then pull up socket.

